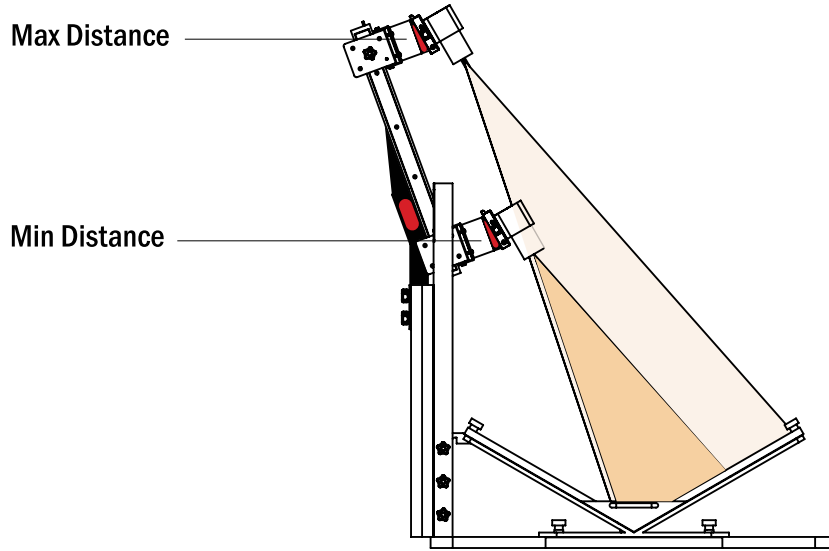
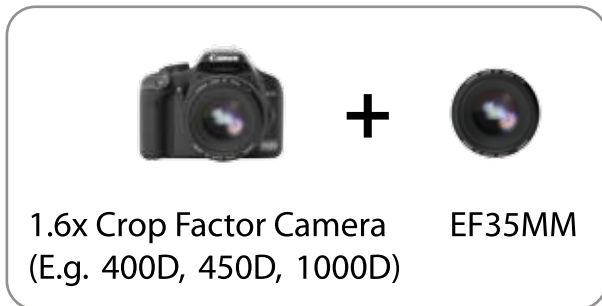


Use **Red Set** to scan medium to large size



WHAT TO USE:

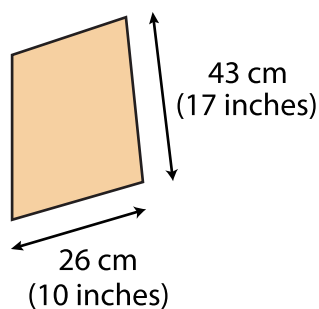


OR



APPROXIMATE PAGE SIZE YOU'LL GET:

At min distance



At max distance

