

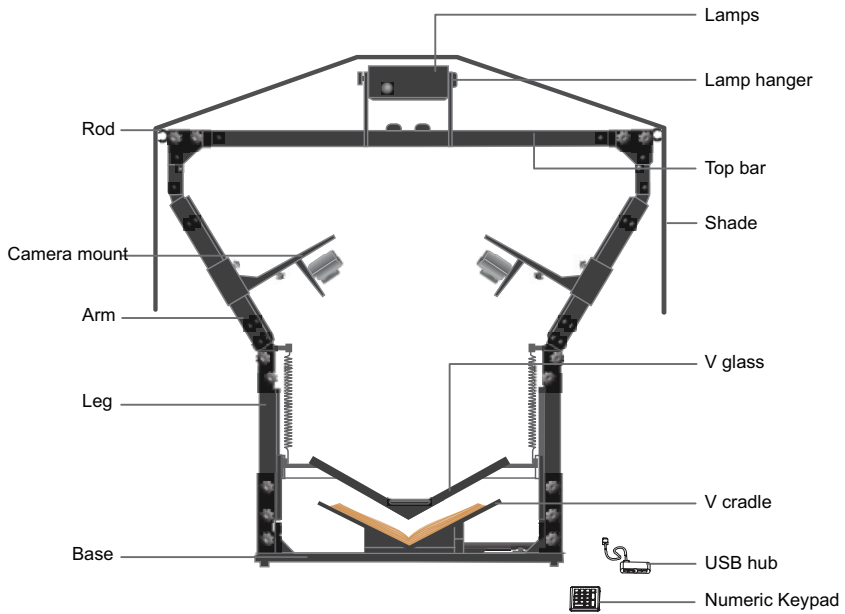
# 1. Set up BookDrive DIY

[www.atiz.com/support](http://www.atiz.com/support)

## Safety Precautions

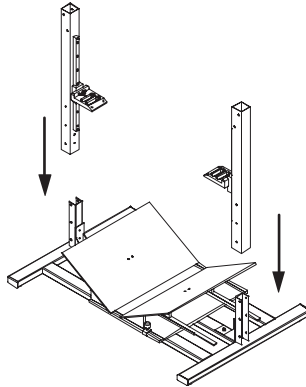
- Place the machine on a level table to ensure proper working condition. Do not tilt the machine.
- Do not place the machine near heaters or volatile, flammable or combustible materials that may catch fire.
- BookDrive DIY is not designed to be lifted. Do not lift or relocate the machine once it has been fully assembled. To relocate the machine, de-assemble it into parts first and then re-assemble them again at the desired location.

# Getting to know your BookDrive DIY

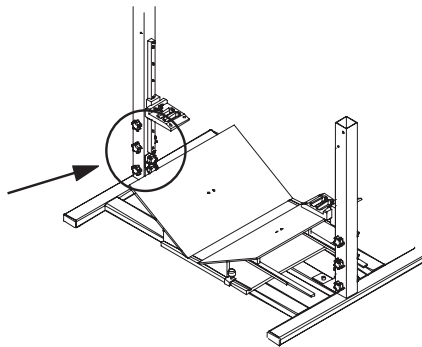


## How to assemble the platform

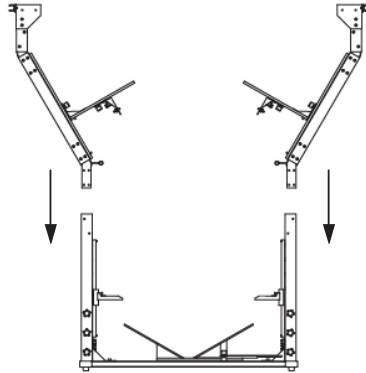
1. Place the base on the table and connect the left and right legs to the base as shown.



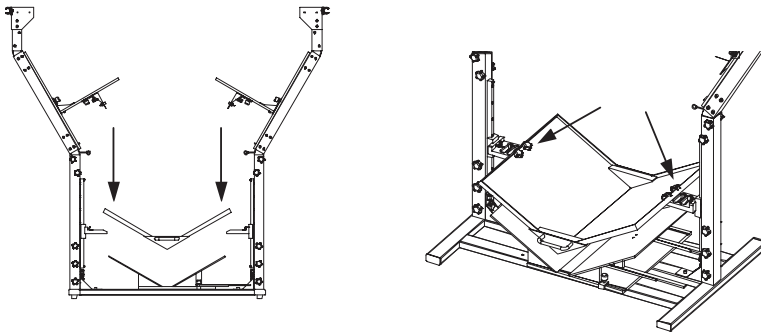
2. Tighten 3 knobs on the front, 3 knobs on the rear and 2 knobs on the inner side of each leg.



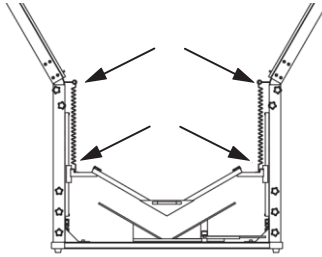
3. Connect the arm to the leg. The sticker on the end of the arm should match with the sticker on the end of the leg. Then tighten the knobs. Repeat on the other side.



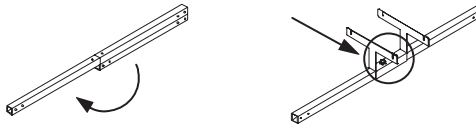
4. Fix the V glass with the arm connector. Tighten 2 knobs with nuts at each left and right side.



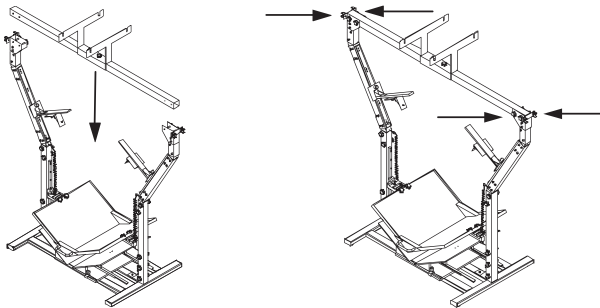
5. Install the springs on both sides.



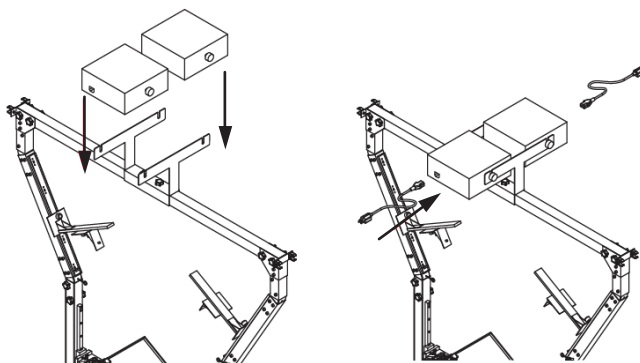
6. Straighten the top bar. Attach the lighting hanger to the top bar and tighten the 2 knobs.



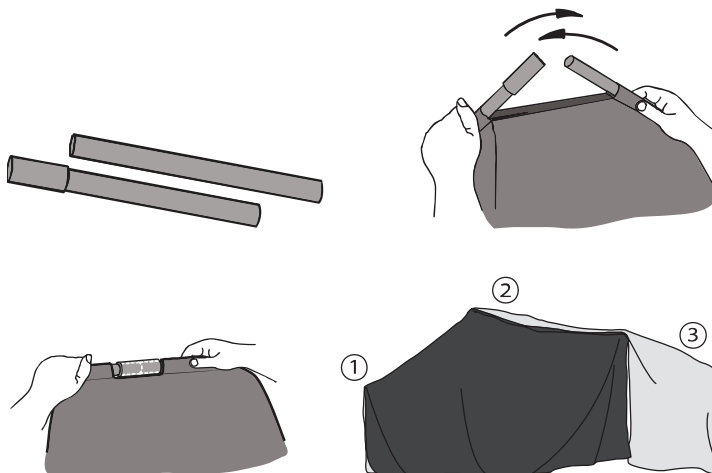
7. Attach the top bar to the platform. Tighten the 4 knobs on each side securely.



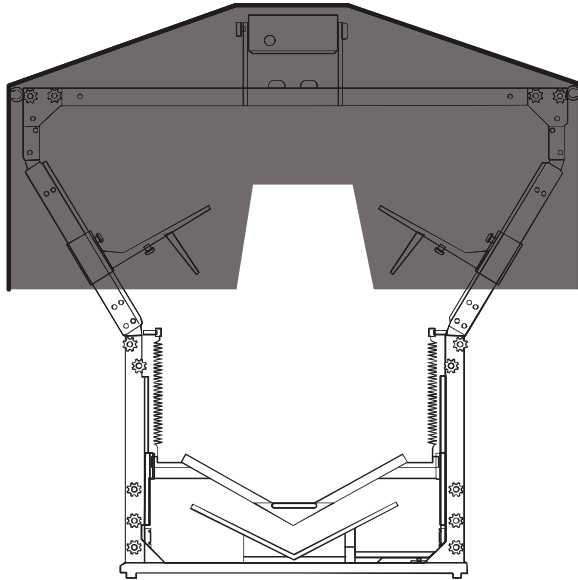
8. Attach the lamps to the lamp hanger. Tighten the knobs on both lamps. Plug the AC cord into each lamp.



9. Put 2 little plastic pieces in the shade's hole and connect them together to form a extension.



10. Attach the shade to the top bar.





# How to set up the software

Every BookDrive comes with 2 applications.

1. **BookDrive Capture** - for controlling the cameras to capture images
2. **BookDrive Editor Pro** - for image processing and making e-books

## Requirements

Windows 7, Vista or XP

CPU - Pentium 3 1GHz or better

RAM - 512MB minimum (2GB is highly recommended)

USB 2.0 connection

Driver - Drivers for Canon camera must be installed

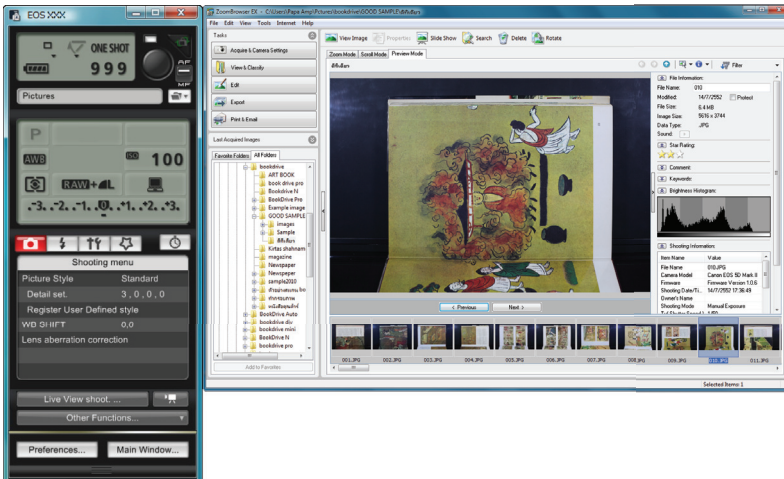
Monitor - 1024 x 768 resolution or higher

# How to install the software

1. Make sure you've successfully installed Canon drivers and software that come with the cameras. Do not proceed to next step if you still can't do PC remote shooting using the Canon included software called **EOS Utility**.

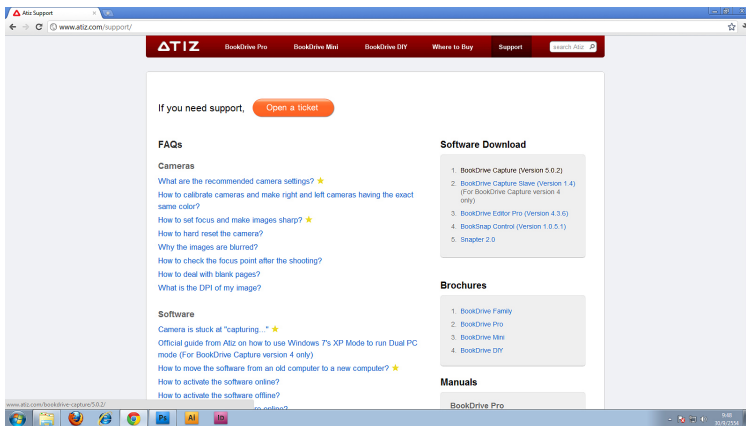


(The actual screenshot of Canon software may differ from what's shown here)

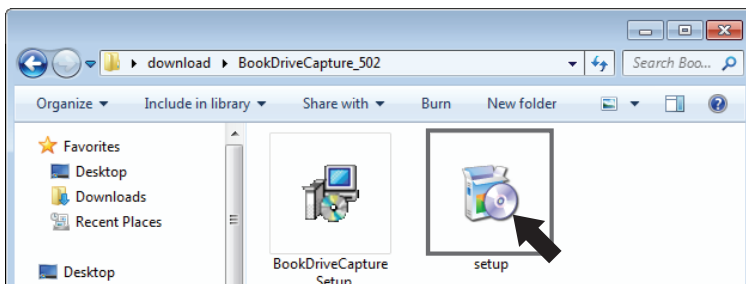


2. Once you can do PC remote shooting through Canon software, you can now install BookDrive software.

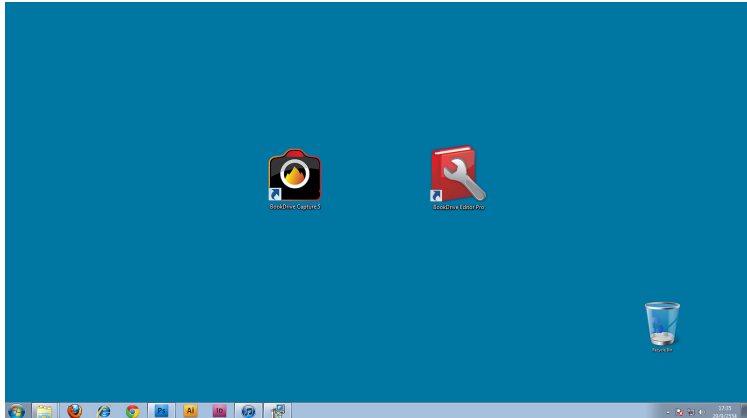
*If you want the latest version of the software, you can download from Atiz support page at [www.atiz.com/support](http://www.atiz.com/support)*



Double click the installation file to install.



3. Once finished, you will see the program shortcuts on the desktop.



4. When you run the software, use the included USB dongle to unlock it.



[www.atiz.com](http://www.atiz.com)

©Copyright 2006-2011. Atiz Innovation Co.,Ltd. All rights reserved.